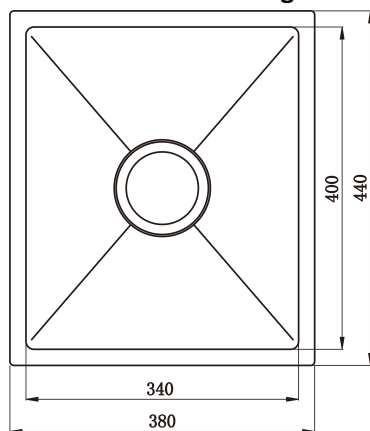


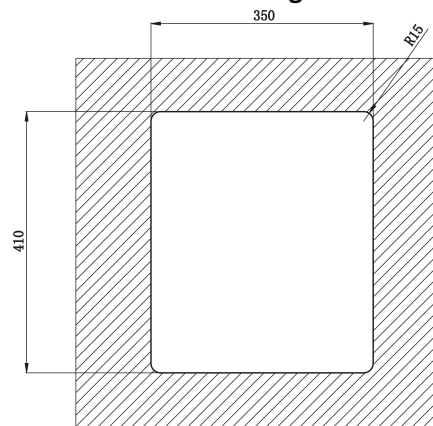
Product Range	: Kitchen Stainless Steel Sink		
Product Type	: Undermount Single Bowl		
Product Series	: UNDERMOUNT (R10) Collection	Model	: HT-UND-R10-111

Material	: Grade 304 Stainless Steel, Chromium Nickel Content 18/8
Thickness	: 1.0 mm
Overall Dimension	: 380 x 440 x 220 mm
Bowl(s) Dimension	: 340 x 400 mm
Drainage Dimension	: Ø 90 mm
Installation Type	: Undermount
Features	: Pressed stainless steel sink with 10mm radius corners

**Overall Dimension Diagram**



**Cut-out Dimension Diagram**



### WARRANTY:

- Lifetime warranty on Anti-rust
- 1-year warranty on manufacturing defects

### PRODUCT WARRANTY REGISTRATION:

- Log on to [www.haustern.com](http://www.haustern.com) for product warranty registration and more information on terms and conditions

### CLEANING RECOMMENDATION:

- Sink should not be cleaned with abrasive materials such as steel wool or scourers
- Do not use any corrosive or abrasive cleaning agents containing acid or scouring agents

*This specification is subject to change without notice. FIAMMA TRADING SDN. BHD. will not be held responsible for the use of superseded or voided specifications. Fabricator must check for cut-out accuracy.*