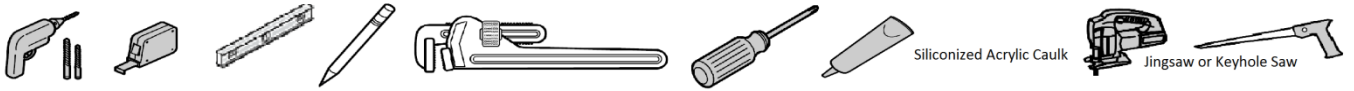


<b>MODEL :</b>	HTB-BEVER-211	HTB-ELSTER-211	HTB-ELSTERIA-211
	HTB-ELSA-211	HTB-ERISTA-211	HTB-ELTIS-211
	HTB-BELLA-211	HTB-BOSSA-201	



Log on to [www.haustern.com](http://www.haustern.com) for more information on terms and conditions

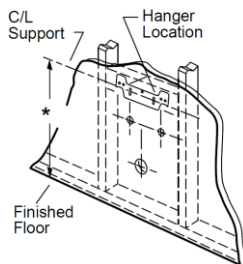
*This specification is subject to change without notice. FIAMMA TRADING SDN. BHD. will not be held responsible for the use of superseded or voided specifications. Fabricator must check for cut-out accuracy.*



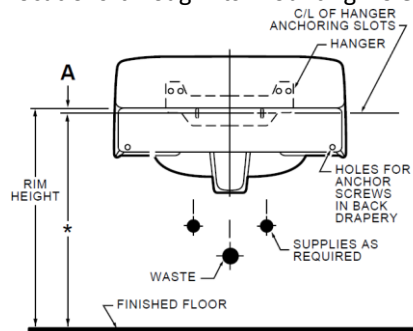
## FOREWOOD

- These instructions are only a guide and all Haustern products must be installed by a qualified contractor.
- Ensure that the correct tools are used in each step of these procedures.
- Ensure water is turned off before the installation of the wash basin, and should have been aside of sewage and water supply pipes.
- Prior to installation remove the basin from carton and inspect for transport damage.

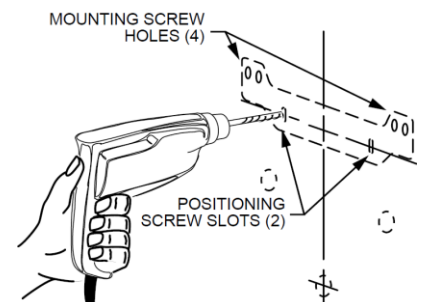
1. Provide suitable reinforcement behind finished wall for basin hanger mounting screws and determine horizontal centre line location. Make sure support bottom extends to basin back wall bottom.



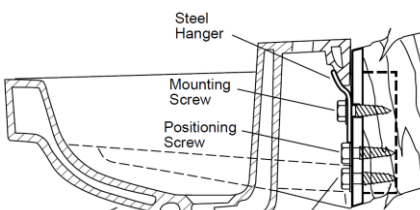
2. Determine the desired rim height. Position hanger making sure its centre is aligned with the waste hole centreline. Mark the hanger screw locations through its mounting holes.



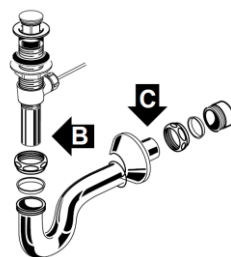
3. Drill pilot holes in positioning screw slots of hanger.



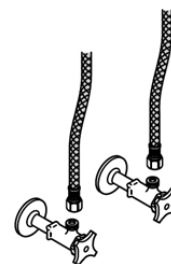
4. Fix hanger to wall (loose). Mount basin for positioning, level the deck, and mark bottom anchor screw holes (if applicable). Remove basin, tighten the hanger positioning screws and drill pilot holes for anchor screws and 4 mounting screws. Install and tighten the mounting screws.



5. Following manufacturer instructions install faucet and drain assembly. Connect trap to drain assembly hand tight to check alignment. It may be necessary to cut off part of the tailpiece (area "B") or part of the horizontal leg of the trap (area "C").

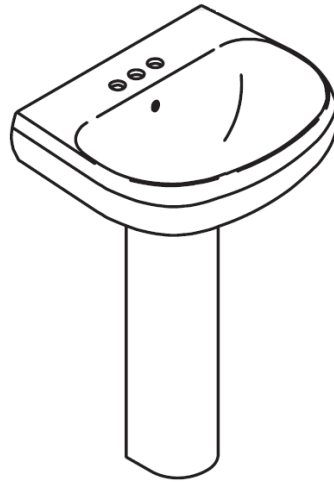


6. Connect hot and cold supply lines to the shut-off valves. Tighten trap joints for watertight assembly. Apply a bead of caulk around the edge which contacts the wall.

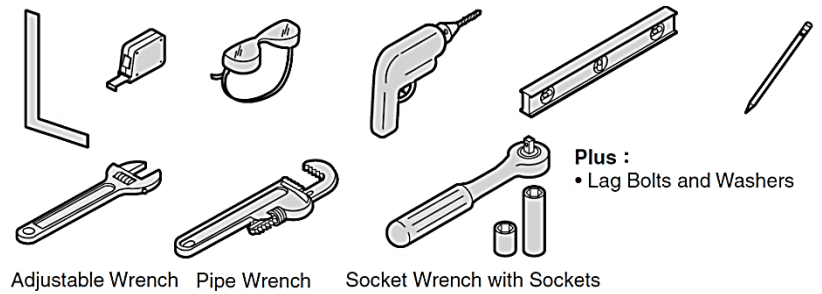


*This specification is subject to change without notice. FIAMMA TRADING SDN. BHD. will not be held responsible for the use of superseded or voided specifications. Fabricator must check for cut-out accuracy.*

<b>BASIN MODEL :</b>	HTB-BOSSA-201		
<b>PEDESTAL MODEL :</b>	HT-FT-204F	HT-FT-204H	



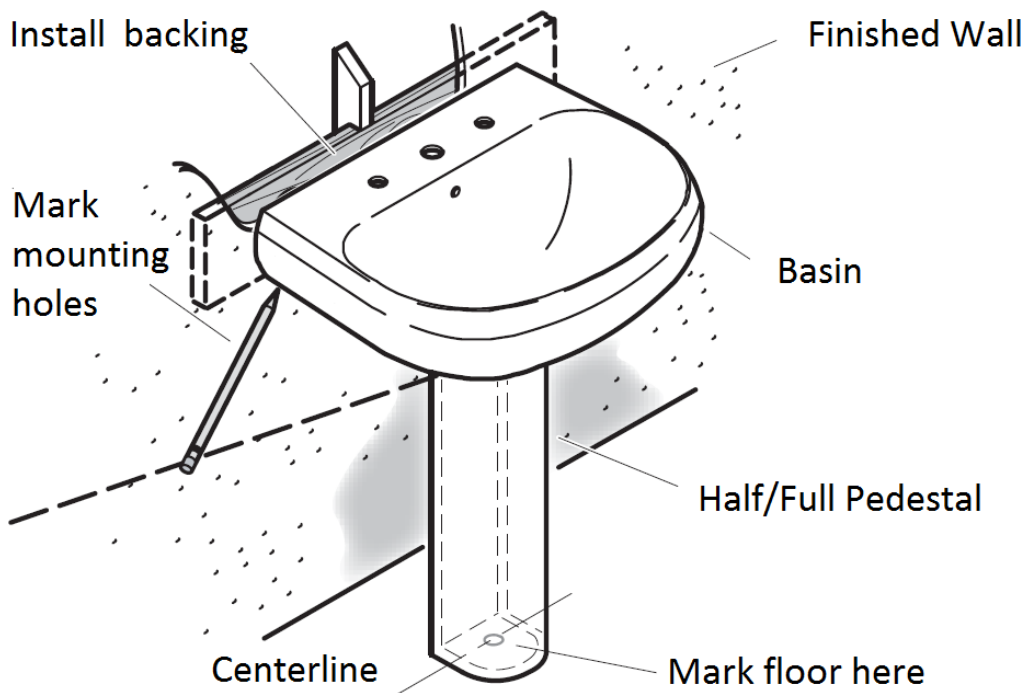
Log on to [www.haustern.com](http://www.haustern.com) for more information on terms and conditions



## FOREWORD

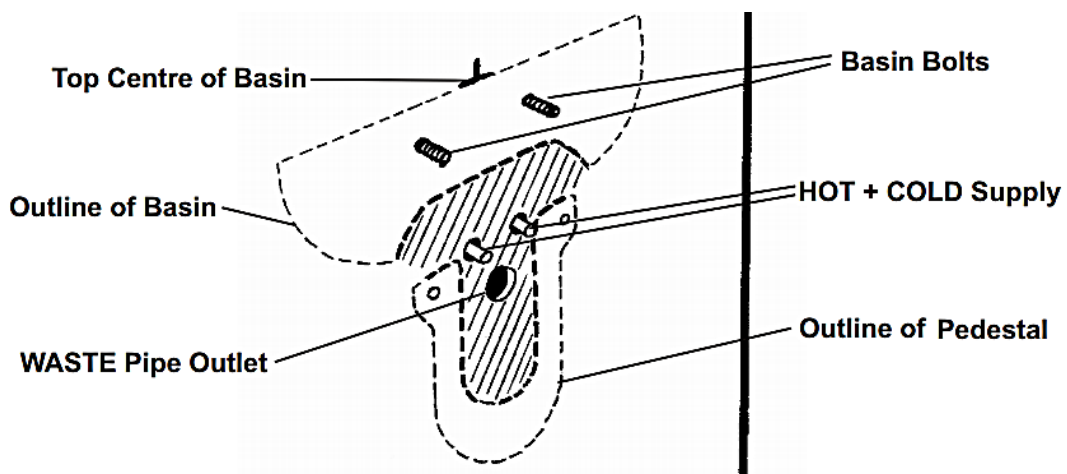
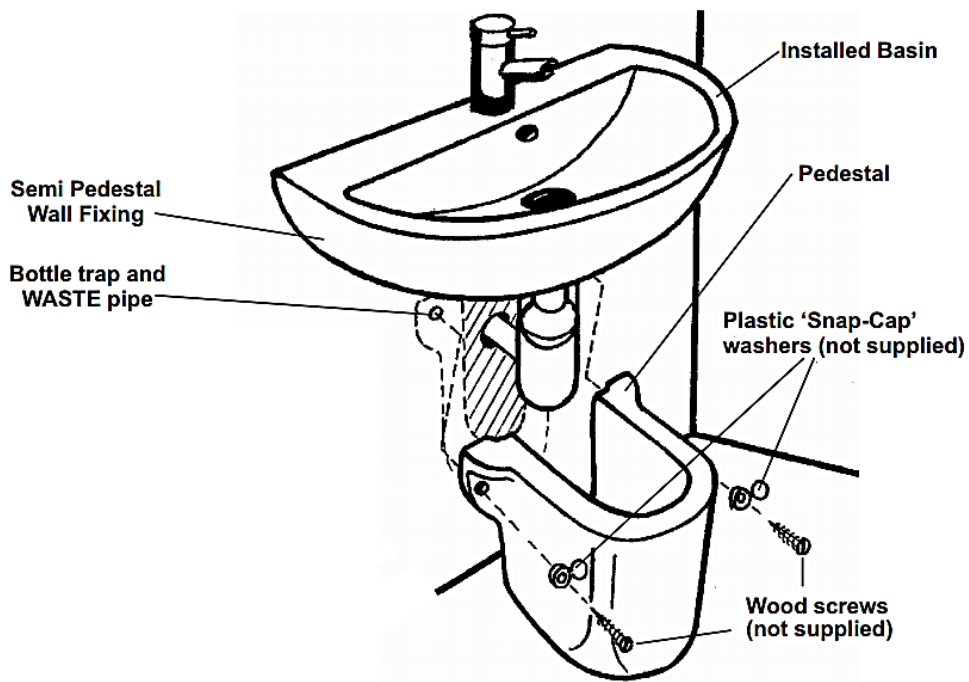
- These instructions are only a guide and all Haustern products must be installed by a qualified contractor.
- Ensure that the correct tools are used in each step of these procedures.
- Ensure water is turn off before the installation of the wash basin, and should have been aside of sewage and water supply pipes.
- Prior to installation remove the basin from carton and inspect for transport damage

## Preparation

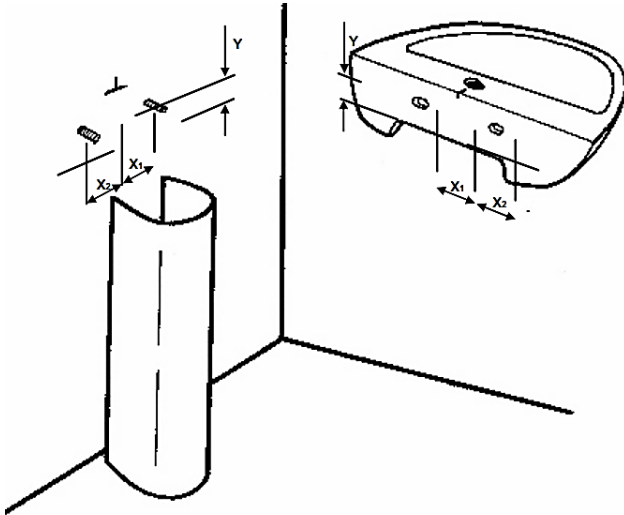


*This specification is subject to change without notice. FIAMMA TRADING SDN. BHD. will not be held responsible for the use of superseded or voided specifications. Fabricator must check for cut-out accuracy.*

### Install the Lavatory



*This specification is subject to change without notice. FIAMMA TRADING SDN. BHD. will not be held responsible for the use of superseded or voided specifications. Fabricator must check for cut-out accuracy.*



1. Install sufficient backing behind the finish wall to provide a secure material for the anchoring devices.
2. Mark the centerline on the floor, then position the pedestal on the floor centerline.
3. Carefully place the basin on the pedestal and move the pedestal as required to ensure proper fit in the desired location.
4. Mark the center of each anchoring hole on the wall, and mark the floor through the hole in the pedestal bottom.
5. Carefully remove the basin from the pedestal. Then move the pedestal from the area.
6. Drill a 6mm (1/4") mounting hole at the mark on the floor, then drill two 6mm (1/4") hanger bolt holes at the marks on the wall.
7. Mount hanger bolts to the wall.
8. Install the faucet and Pop-up waste to the basin according to the manufacturer's instructions.
9. Position the pedestal mounting hole over the hole in the floor. Then, secure the pedestal to the floor with the screw and washer. Tighten the screw until it is snug
10. Set the basin on the pedestal so the bolts extend through the basin holes.
11. Connect the faucet into the basin hole opening. Complete the water supply and drain connection.
12. Run water into sink and check for leak.

*This specification is subject to change without notice. FIAMMA TRADING SDN. BHD. will not be held responsible for the use of superseded or voided specifications. Fabricator must check for cut-out accuracy.*